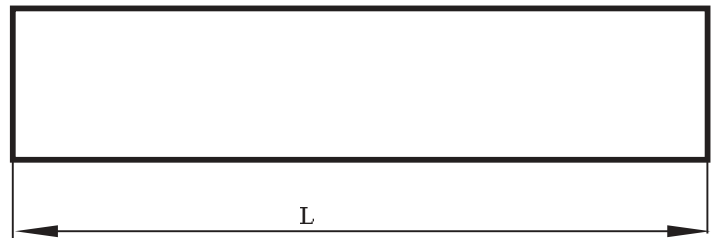
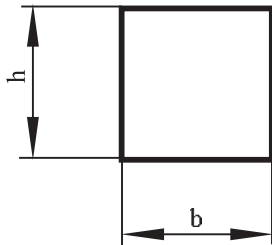




Bare rectificatae din otel rapid pt. cutite de strung
Ground high speed steel tool bits

STAS 12382-85

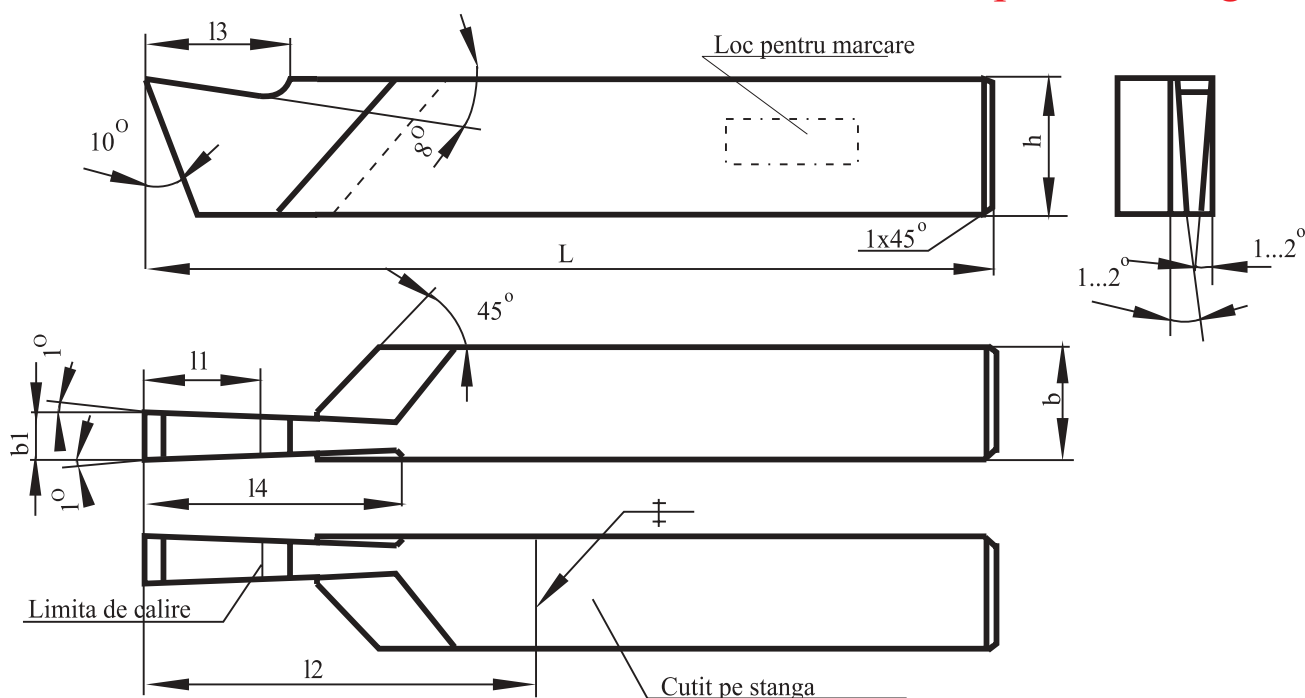
Bare cu sectiune patrata



h (h13)	b (h13)	L (±2)				Pret ()
mm	mm	mm				
1	2	3			4	
4	4	63				
5	5	63				
6	6	63	80	100	160	200
8	8	63	80	100	160	200
10	10	63	80	100	160	200
12	12	63	80	100	160	200
16	16			100	160	200
20	20				160	200
25	25					200
32	32					200

STAS 353-86

Cu tais din otel rapid
With rapid steel edge



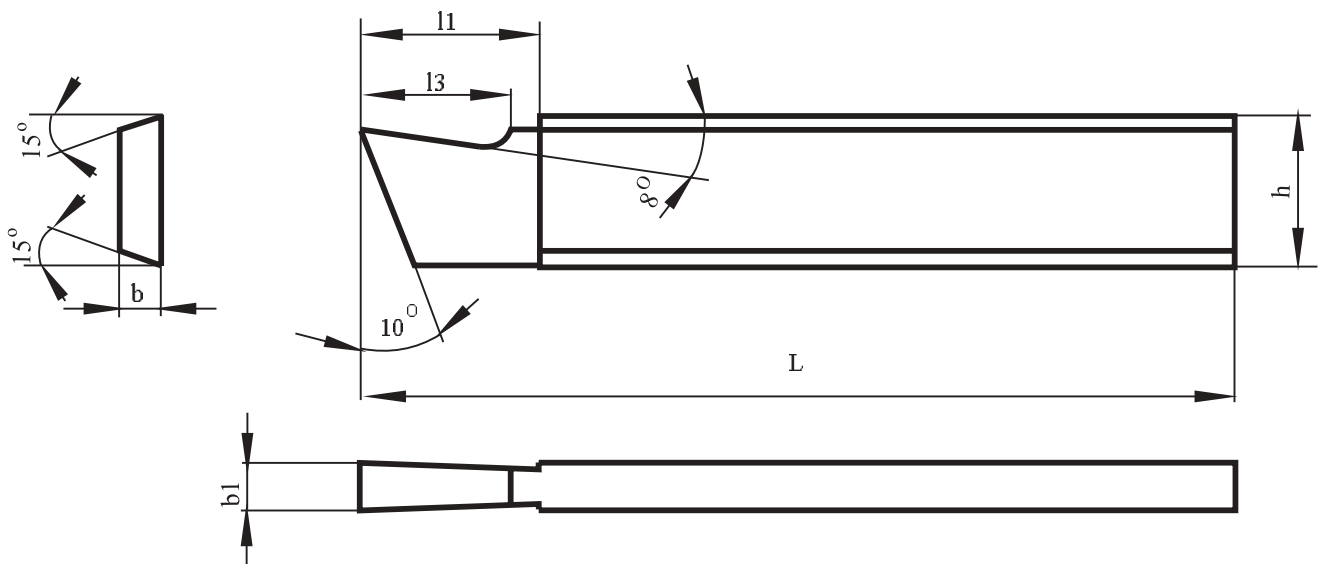
Sectiunea hxb mm	L mm	b1 mm	l1 mm	l2 mm	l3 mm	l4 mm	Diametrul de retezare D max mm	Pret ()
1	2	3	4	5	6	7	8	9
10x10	100	2.5	6	-	5	8	14	
12x12	110	3	6	-	8	10	16	
16x10	125	3	8	-	12	20	30	
20x12	140	4	10	40	12	25	35	
25x16	180	5	12	50	20	35	50	
32x20	220	6	16	60	25	40	60	



Cutite lama pentru retezat Blade cutting-off tools

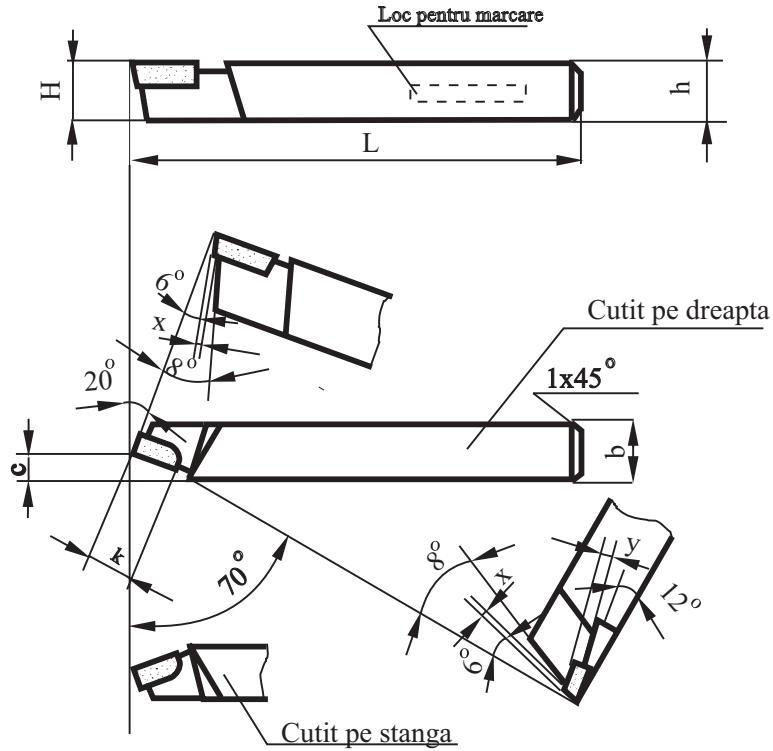
STAS 354-67

Cu tais din otel rapid
With rapid steel edge



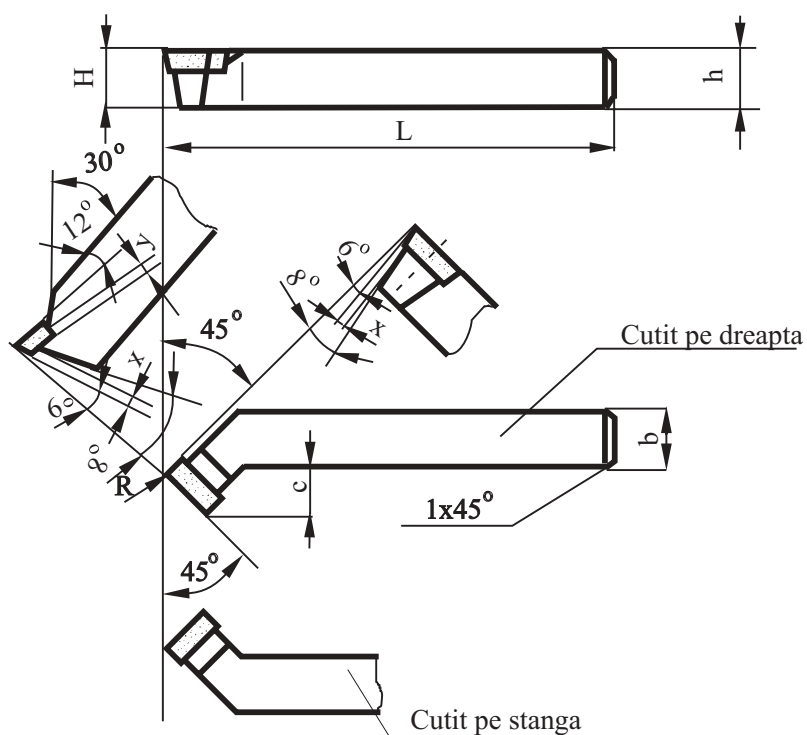
Sectiunea hxb mm	L mm	b1 mm	l1 mm	l3 mm	Pret ()
1	2	3	4	5	6
12x3	100	3	12	8	
18x4	125	4	15	10	
25x5	150	5	18	12	
35x7.5	150	6	18	12	

STAS 6376-80



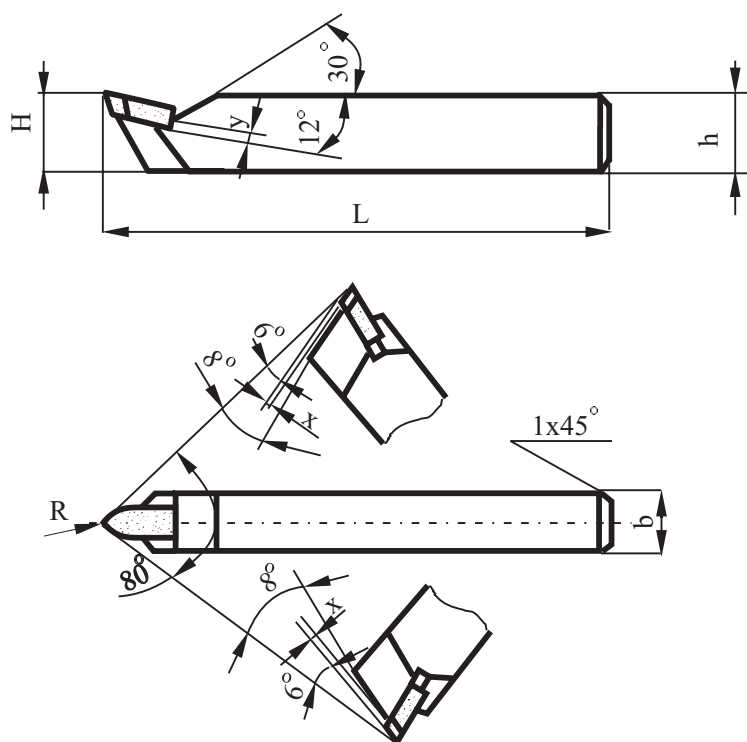
Sectiunea cozii Shank section	L mm	H mm	x mm	y mm	c mm	k mm	r mm	Cutit Cutter		Pret ()
								pe dreapta on the right Placuta STAS 6373/1-73 Tip	pe stanga on the left	
1	2	3	4	5	6	7	8	9	10	11
10x10	90	10	0.5	2.2	4	10	0.4	A8	B8	
12x12	100	12	0.6	3	5	12	0.4	A10	B10	
16x16	110	16	0.8	3	6	15	0.4	A12	B12	
20x20	125	20	1.1	3.5	8	18	0.4	A16	B16	
25x25	140	25	1.3	4	10	22	0.8	A20	B20	
32x32	170	32	1.6	4.5	12	28	0.8	A25	B25	
40x40	200	40	2	5	16	35	1.2	A32	B32	

STAS 6377-80



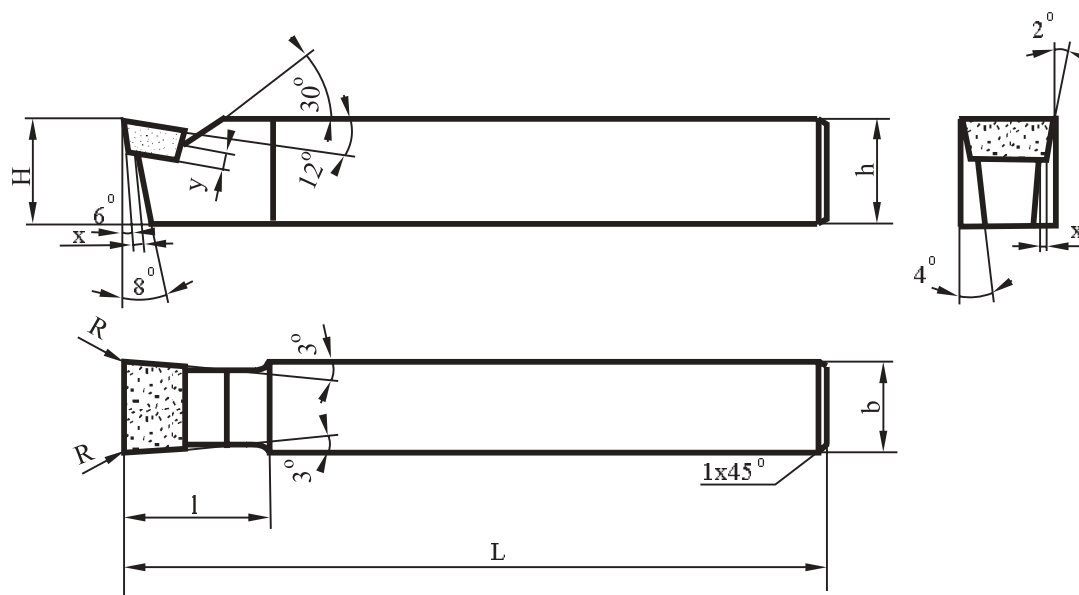
Sectiunea cozii Shank section hxb	L mm	h mm	c mm	y mm	x mm	R mm	Placuta STAS 6373/1-73	
							Tip	Pret ()
1	2	3	4	5	6	7	8	9
10x10	90	10	6	2.2	0.5	0.4	C8	
12x12	100	12	7	3	0.6	0.4	C10	
16x16	110	16	8	3	0.8	0.4	C12	
20x20	125	20	10	3.5	1.1	0.4	C16	
25x25	140	25	12	4	1.3	0.8	C20	
32x32	170	32	14	4.5	1.6	0.8	C25	
40x40	200	40	18	5	2	1.2	C32	

STAS 6378-80



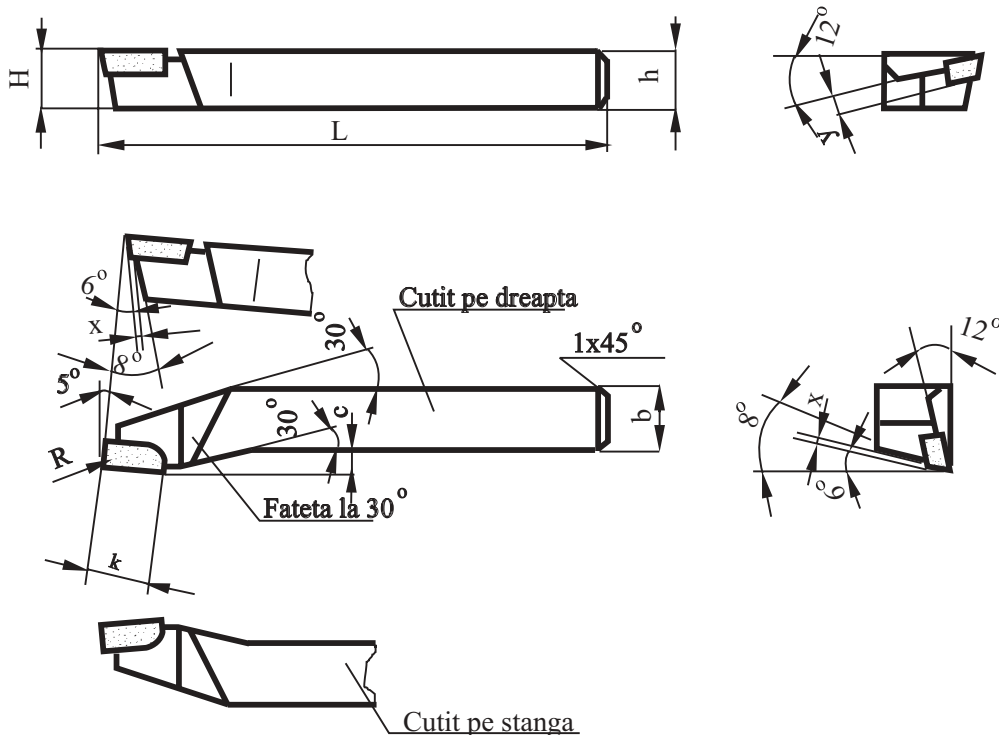
Sectiunea cozii Shank section hxb	L mm	H mm	x mm	y mm	R mm	Placuta STAS 6373/1-73 Tip	Pret ()
1	2	3	4	5	6	7	8
16x10	110	16	0.8	2.3	0.4	E5	
20x12	125	20	1.1	2.5	0.4	E6	
25x16	140	25	1.3	2.6	0.4	E8	
32x20	170	32	1.6	3	0.8	E10	
40x25	200	40	1.8	3	0.8	E12	

STAS 6380-80



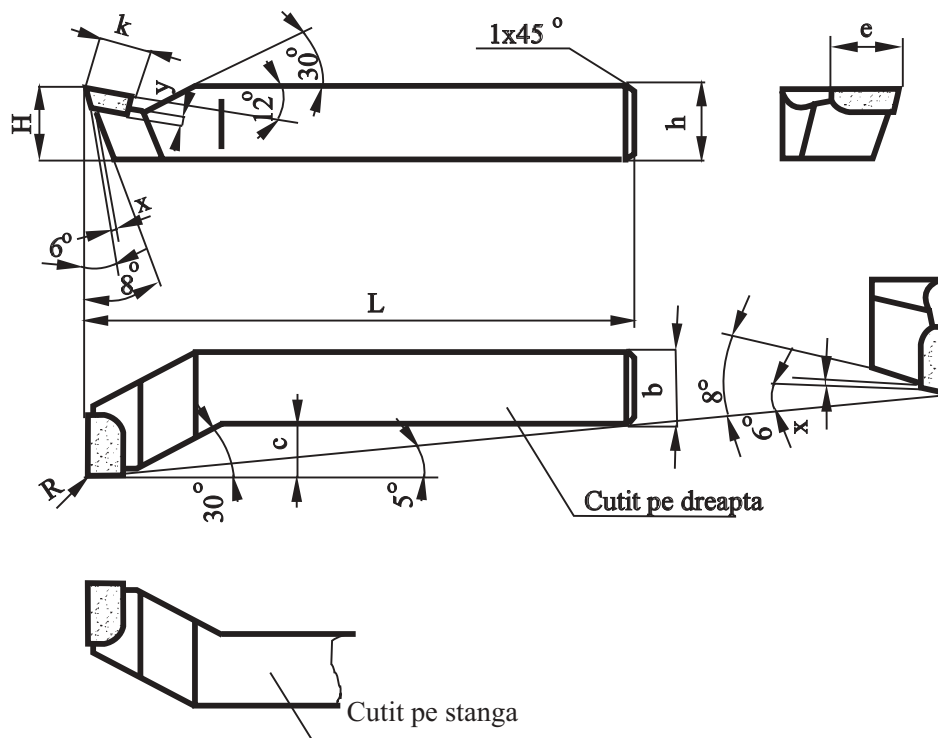
Sectiunea cozii Shank section hxb	L mm	H mm	x mm	y mm	l mm	R mm	Placuta STAS 6373/1-73	
							Tip	Pret ()
1	2	3	4	5	6	7	8	9
20x12	125	20	0.8	3	20	1	C 12	
25x16	140	25	1.1	3.5	25	1	C 16	
32x20	170	32	1.3	4	32	1.5	C 20	
40x25	200	40	1.6	4.5	40	2	C 25	

STAS 6381-80



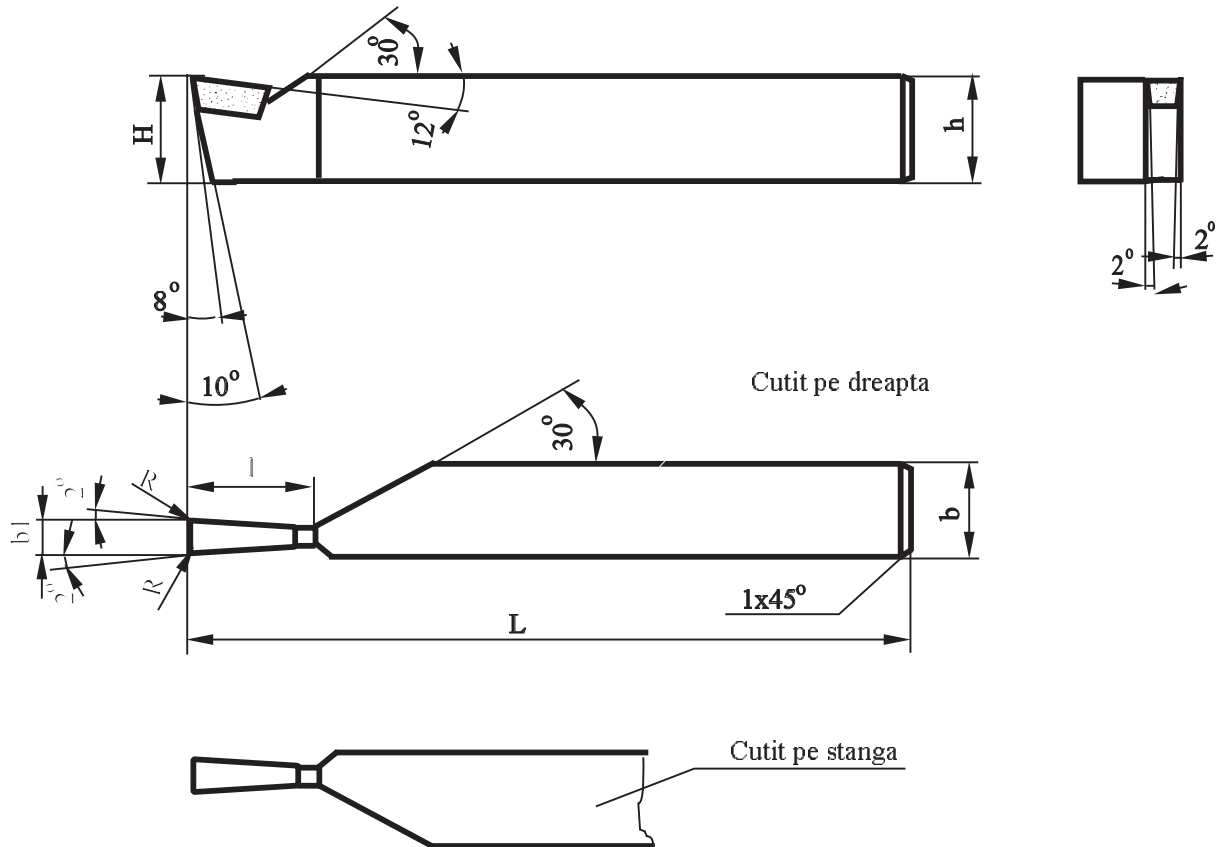
Sectiunea cozii Shank section	L mm	H mm	x mm	y mm	c mm	k mm	R mm	Cutit Cutter		Pret ()
								pe dreapta on the right Placuta STAS 6373/1-73 Tip	pe stanga on the left	
1	2	3	4	5	6	7	8	9	10	11
10x10	90	10	0.5	2.2	4	10	0.4	A8	B8	
12x12	100	12	0.6	3	5	12	0.4	A10	B10	
16x16	110	16	0.8	3	6	15	0.4	A12	B12	
20x20	125	20	1.1	3.5	8	19	0.4	A16	B16	
25x25	140	25	1.3	4	10	23	0.8	A20	B20	
32x32	170	32	1.6	4.5	12	28	0.8	A25	B25	
40x40	200	40	2	5	14	36	1.2	A32	B32	

STAS 6382-80



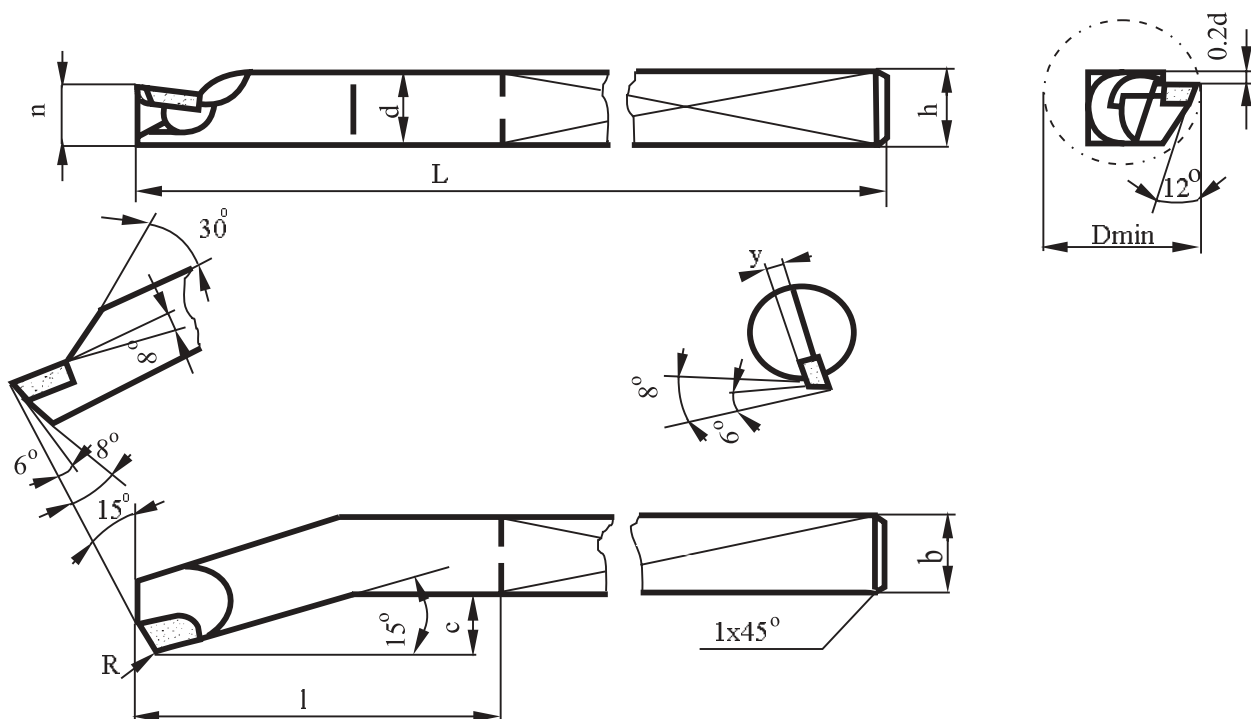
Sectiunea cozii Shank section	L mm	H mm	x mm	y mm	c mm	e mm	k mm	R mm	Cutit Cutter		Pret ()
									pe dreapta on the right Placuta Tip	pe stanga on the left STAS 6373/1-73	
1	2	3	4	5	6	7	8	9	10	11	12
20x20	125	20	1.1	3.5	10	19	12	0.4	B16	A16	
25x25	140	25	1.3	4	12	24	15	0.8	B20	A20	
32x32	170	32	1.6	4.5	16	29	17	0.8	B25	A25	
40x40	200	40	2	5	20	36	21	1.2	B32	A32	

STAS 6383-80



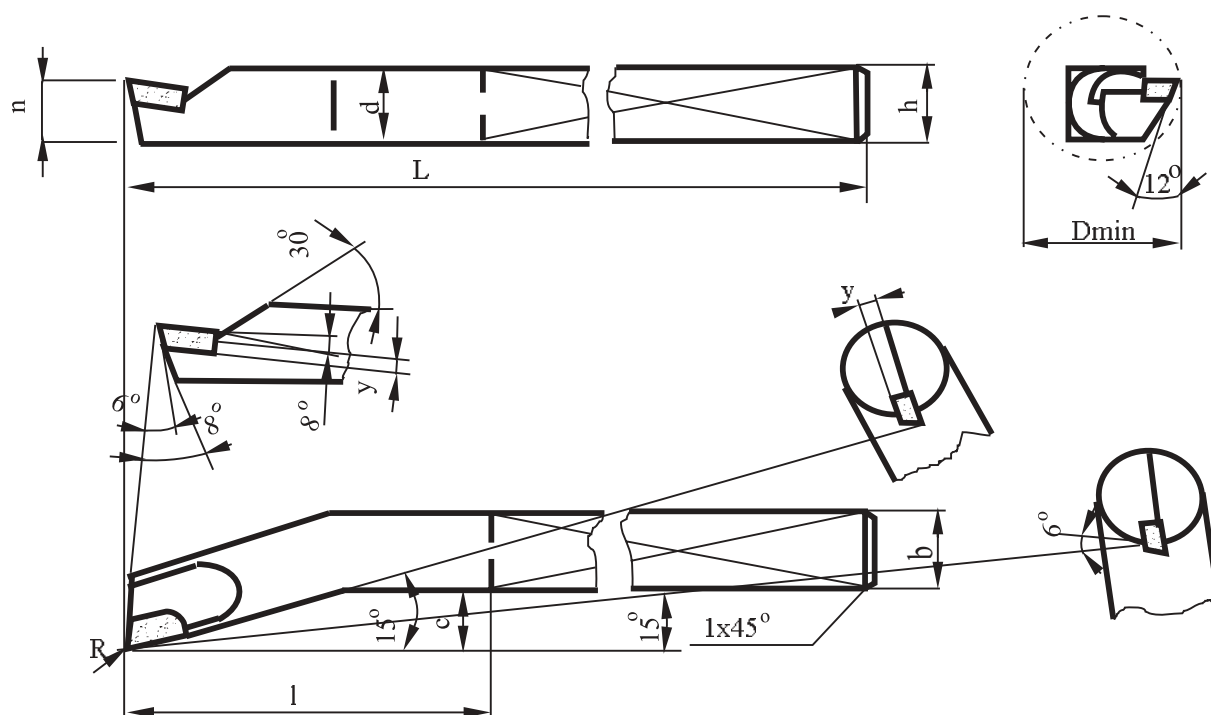
Sectiunea cozii Shank section hxb	L mm	H mm	b1 mm	l mm	R mm	Placuta STAS 6373/1-73	
						Tip	Pret ()
1	2	3	4	5	6	7	8
12x8	100	12	3	12	0.2	D3	
16x10	110	16	4	14	0.2	D4	
20x12	125	20	5	16	0.2	D5	
25x16	140	25	6	20	0.4	D6	
32x20	170	32	8	25	0.4	D8	
40x25	200	40	10	32	0.4	D10	

STAS 6384-80



Sectiunea cozii Shank section	Placuta STAS 6373/1-73 Tip									
	L mm	y mm	d mm	c mm	l mm	n mm	R mm	D min mm	Pret ()	
1	2	3	4	5	6	7	8	9	10	11
8x8	125	1.5	8	3	40	6.5	0.4	14	A5	
10x10	150	1.8	10	4	50	8	0.4	18	A6	
12x12	180	2.2	12	5	63	10	0.4	21	A8	
16x16	210	3	16	6	80	13	0.4	27	A10	
20x20	250	3	20	8	100	16	0.4	34	A12	
25x25	300	3.5	25	10	125	20	0.8	43	A16	
32x32	355	4	32	12	160	25	0.8	52	A20	

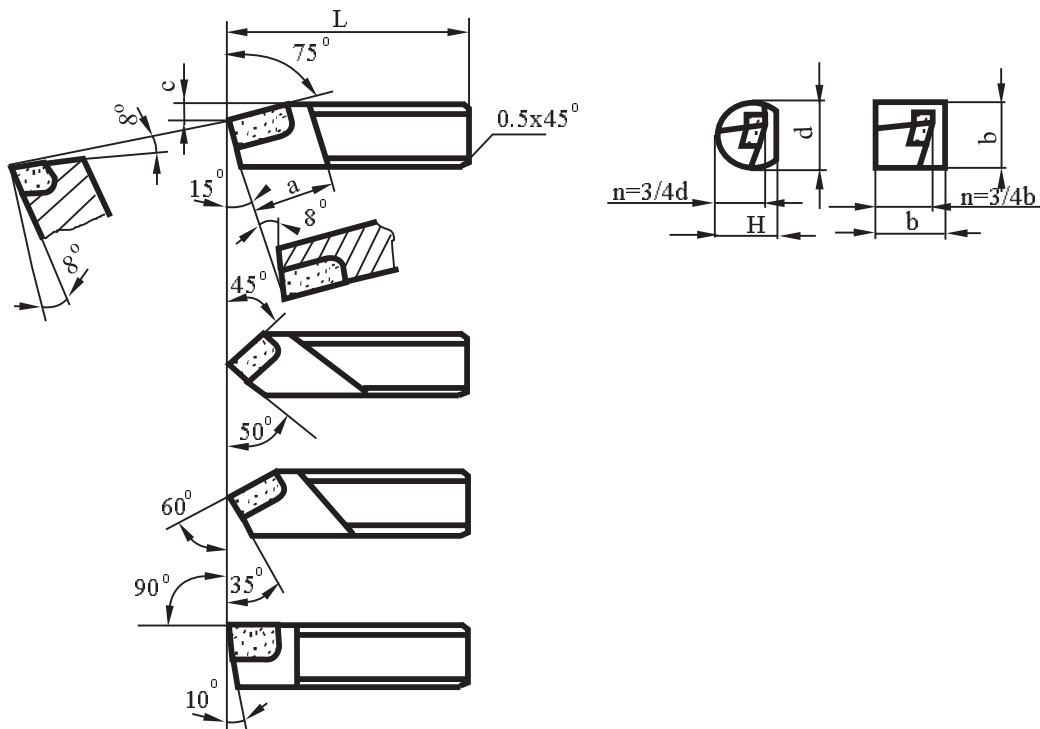
STAS 6385-80



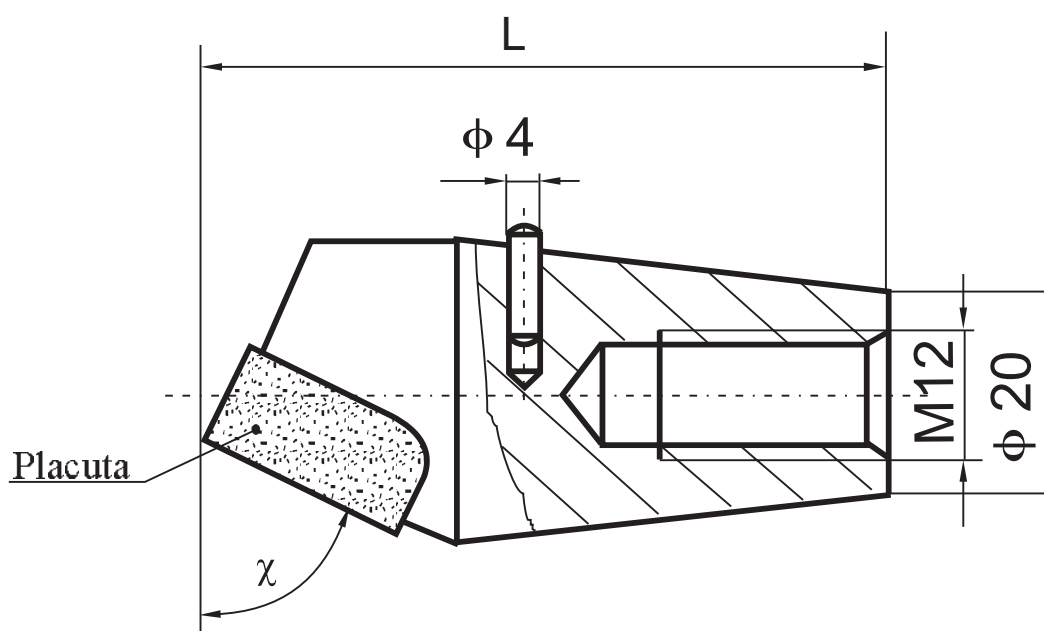
Sectiunea cozii Shank section	Placuta STAS 6373/1-73 Tip										Pret ()
	L mm	y mm	d mm	c mm	l mm	n mm	R mm	D min mm			
1	2	3	4	5	6	7	8	9	10	11	
8x8	125	1.5	8	3	40	6.5	0.4	14	A5		
10x10	150	1.5	10	4	50	8	0.4	18	A6		
12x12	180	2.2	12	5	63	10	0.4	21	A8		
16x16	210	3	16	6	80	13	0.4	27	A10		
20x20	250	3	20	8	100	16	0.4	34	A12		
25x25	300	3.5	25	10	125	20	0.8	43	A16		
32x32	355	4	32	12	160	26	0.8	52	A20		

STAS 8835-86

Cu placute din carburi metalice
With carbide tips



Sectiunea cozii		L mm	H mm	c mm	Unghiul de atac χ_r				c mm	a mm	a mm	Placuta STAS 6373/1-8 ptr. cutit		Pret ()
d(h7) mm	bxb(h9) mm				45°	60°	75°	90°				stinga	dreapta	
1	2	3	4	5	6	7	8	9	10	11	12	13	14	
6	6x6	25	5	3.5	6	2	7	2	9	9	B5	A5		
8	8x8	32	6	5	8	3	8	2.5	10	10	B6	A6		
10	10x10	40	8	6	10	4	11	3	12	12	B8	A8		
12	12x12	50	10	7	12	5	13	3.5	14	14	B10	A10		
16	16x16	63	13	9	14	6	16	4	16	16	B12	A12		
20	20x20	80	16	11	18	7	20	5	20	20	B16	A16		



L mm	χ	Placută	Preț ()
1	2	3	4
63	60°	A20	
74	70°	A20	